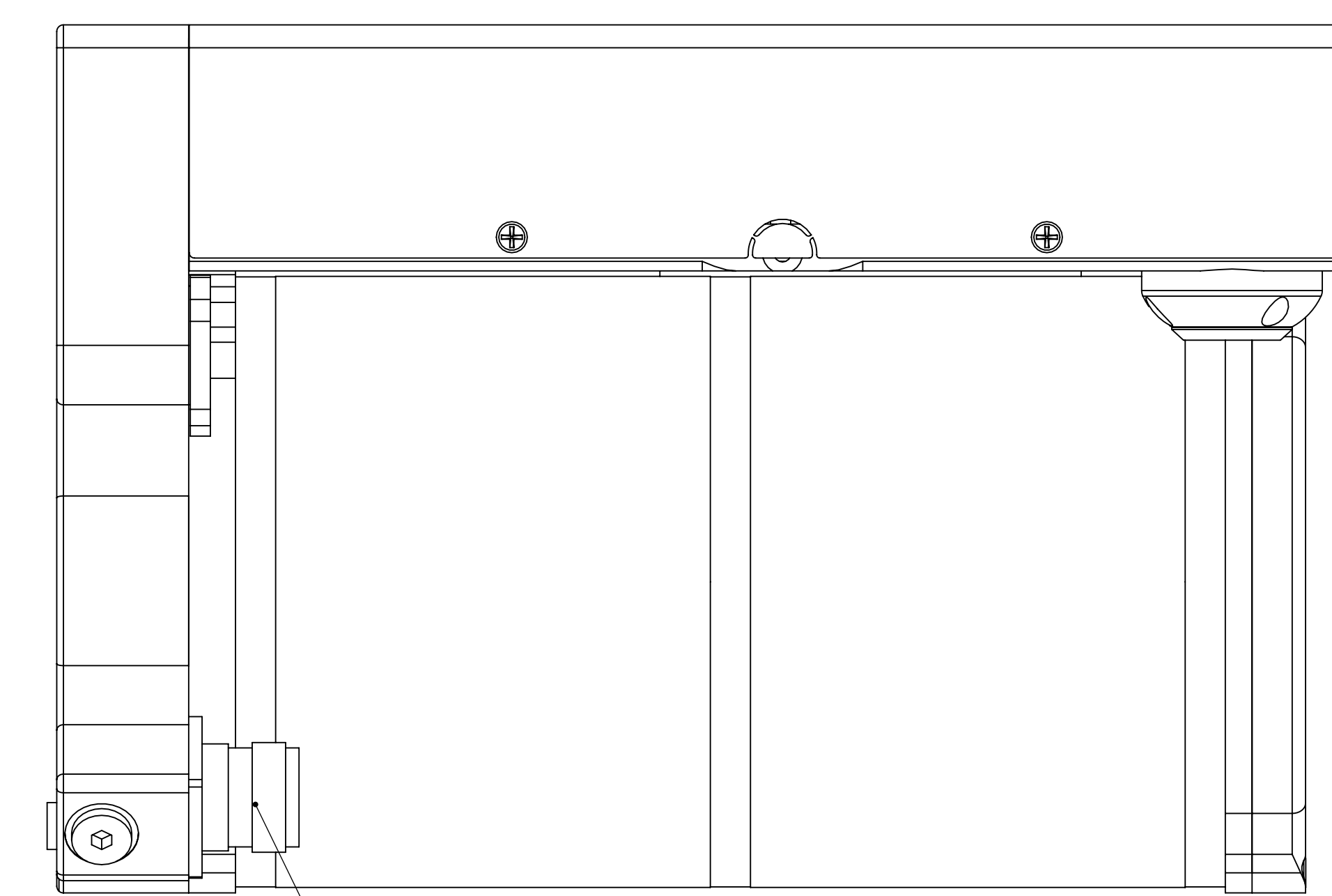
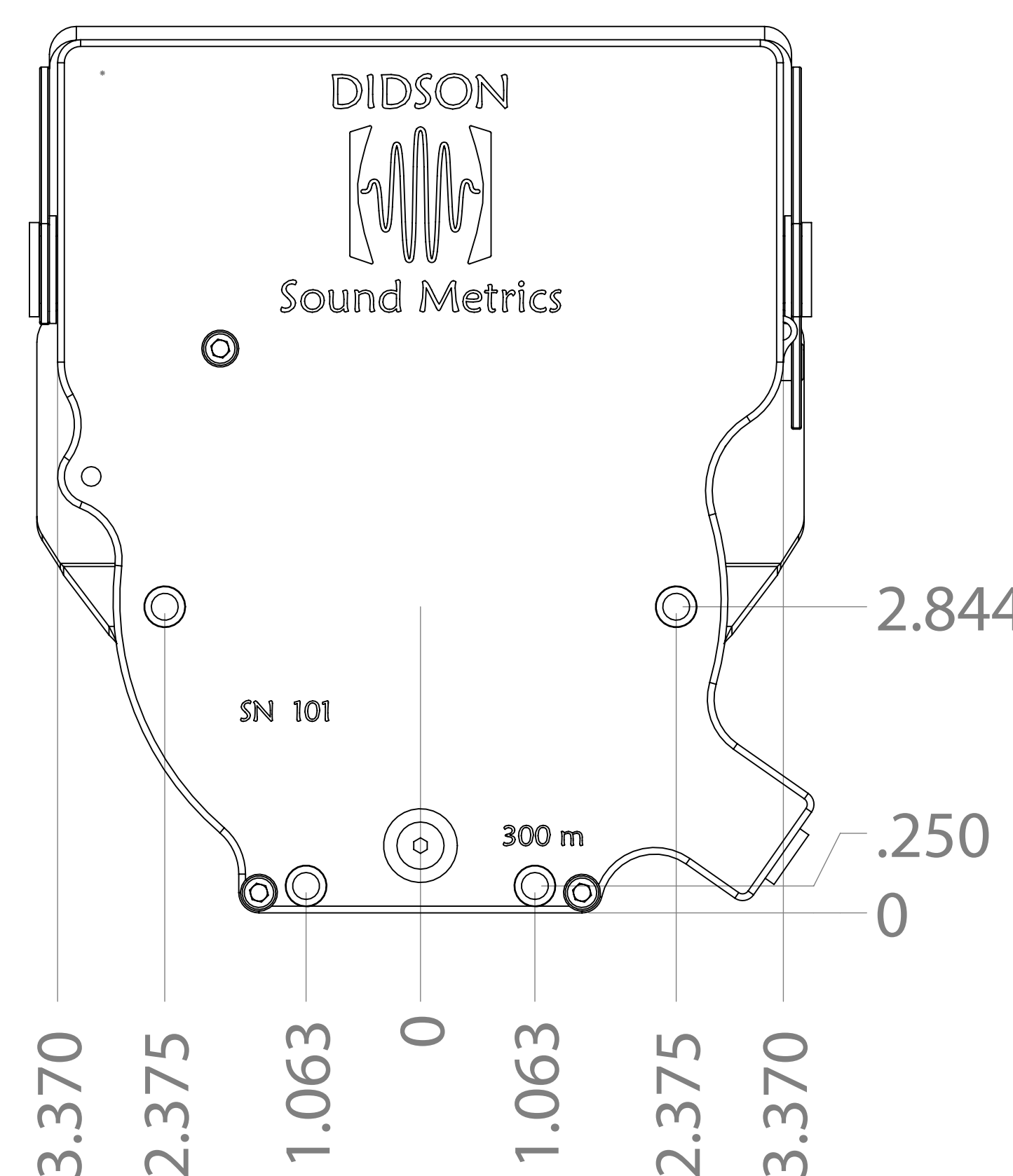
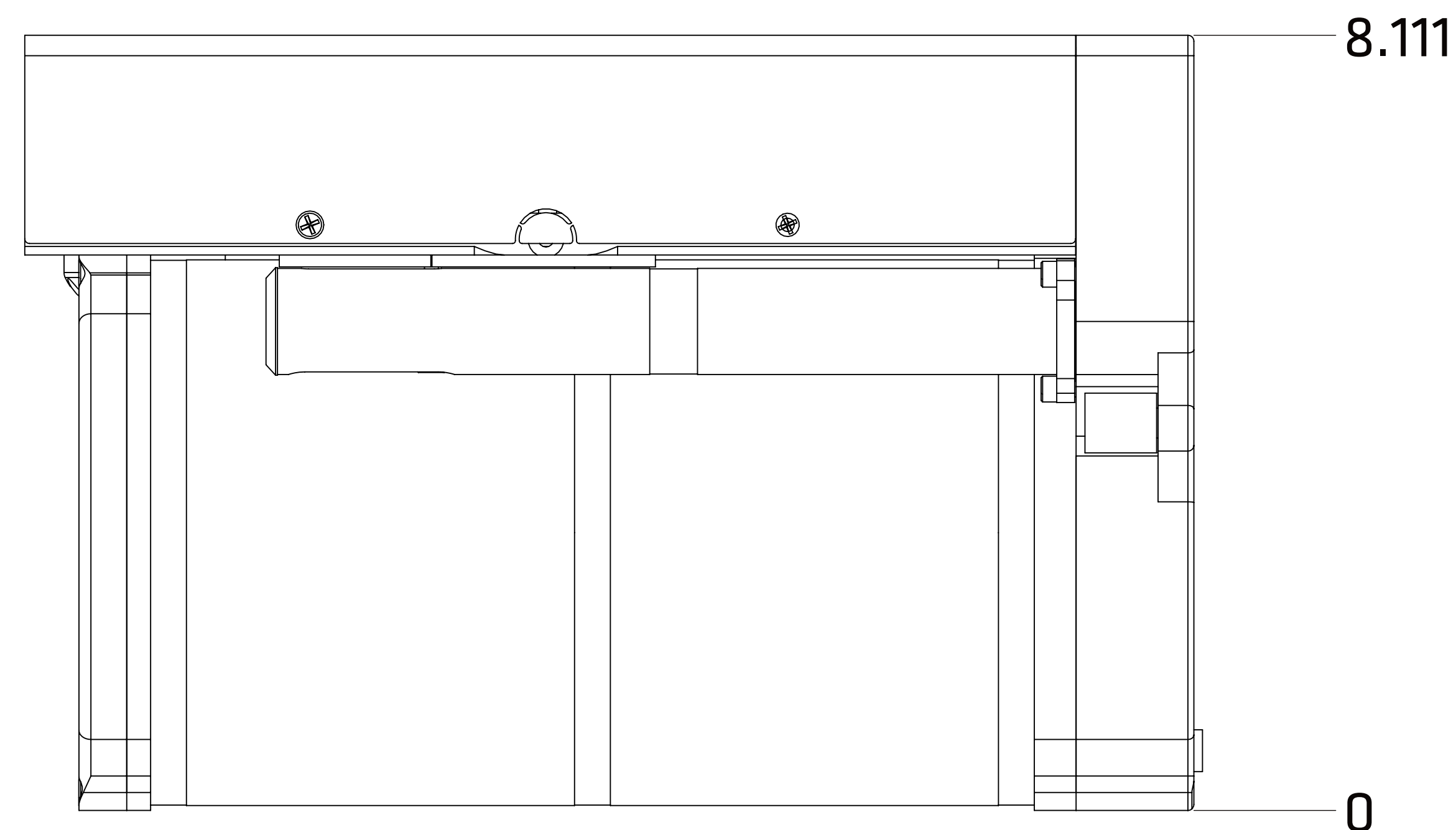
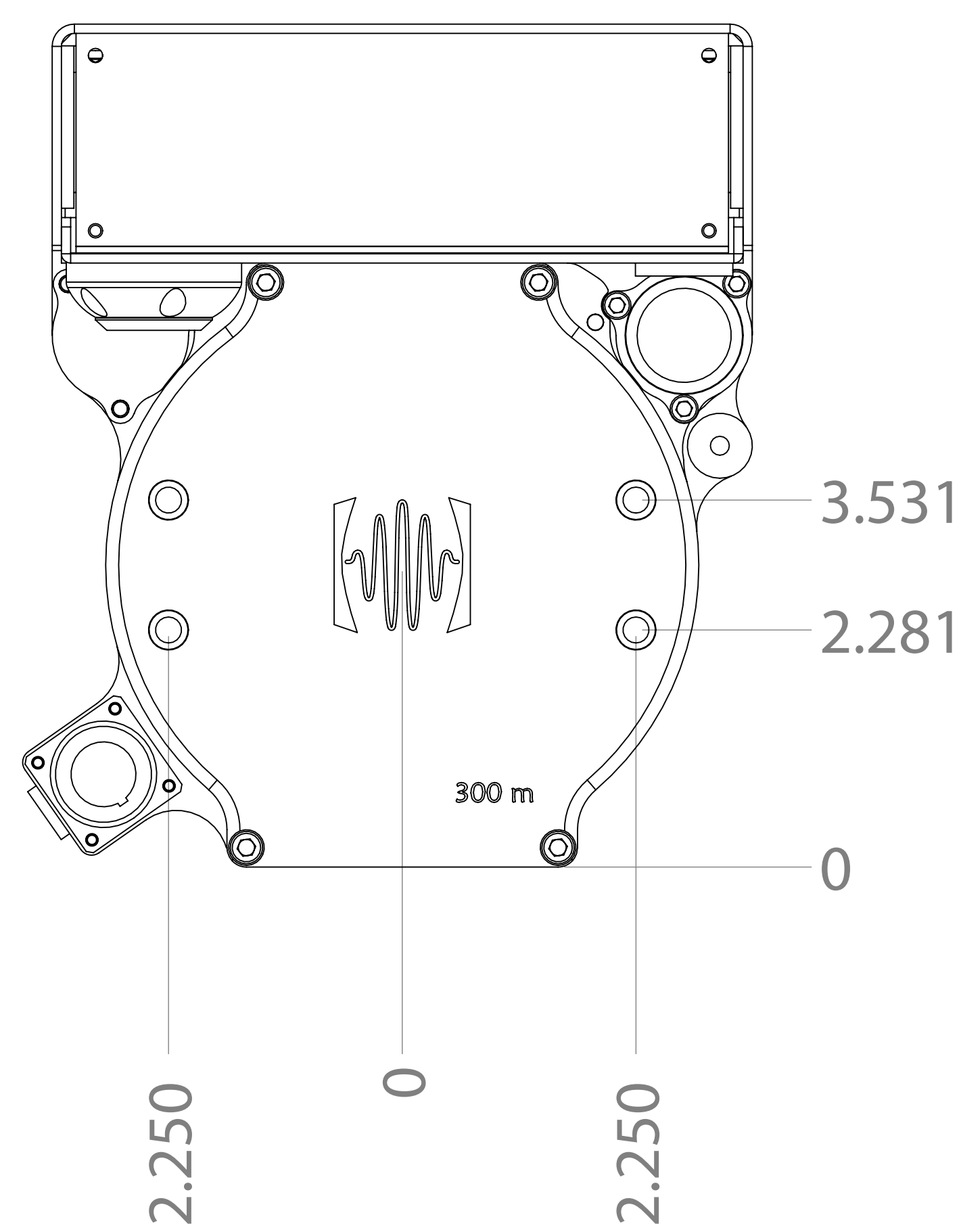
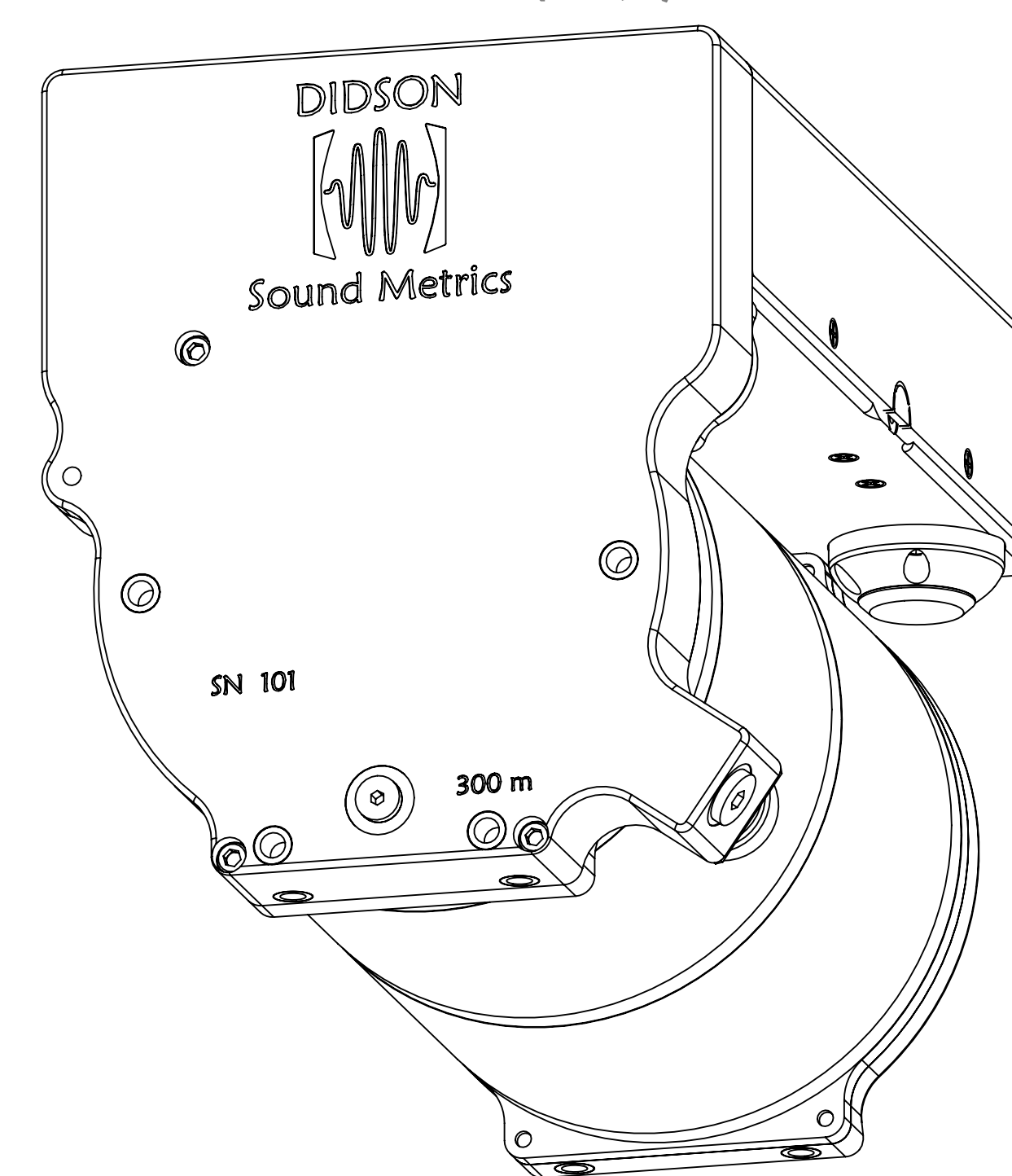
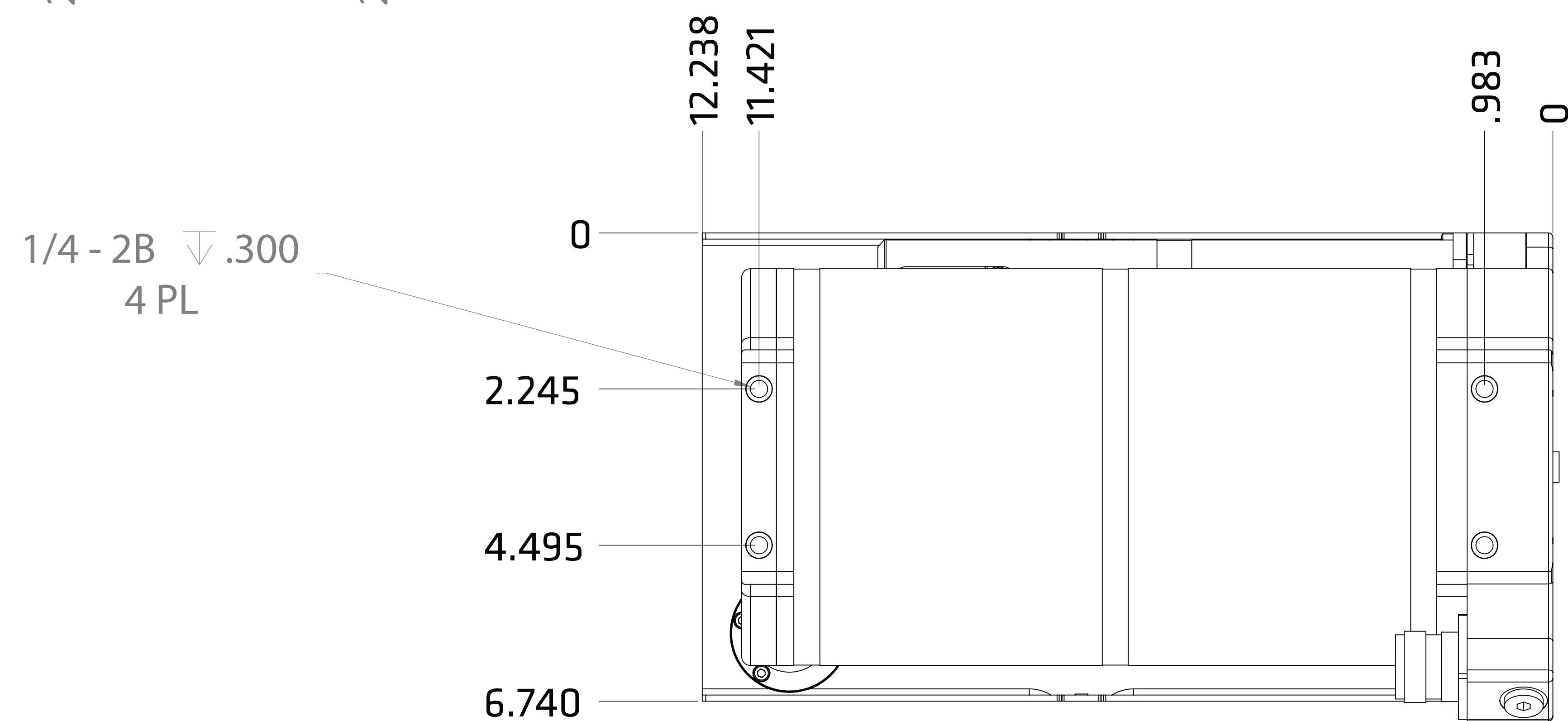


ACOUSTIC BEAM
PROJECTIONS
30 ° HORIZONTAL
14 ° ELEVATION

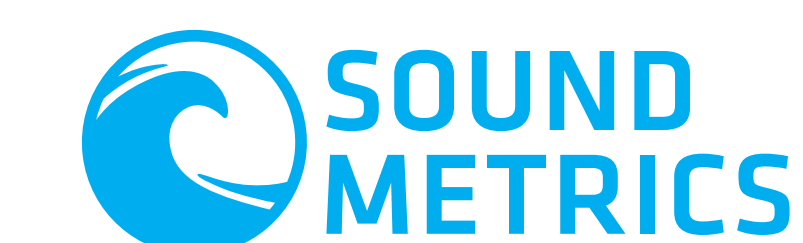


UNDERWATER CONNECTOR
IMPULSE - MHDG-16-FCR
POWER / ETHERNET



AIR WEIGHT: 7.7 Kg

IN SALT WATER WEIGHT: 0.6 Kg



ASSEMBLY - 300m
STANDARD RANGE - RAL CAPABLE
DIDSON

SIZE E	DRAWING NUMBER 1025	REV A
ALL DIMENSIONS ARE IN INCHES.		
PLOT DATE: 1/15/2009		
SCALE: 1:1.25		
SHEET 1 OF 1		