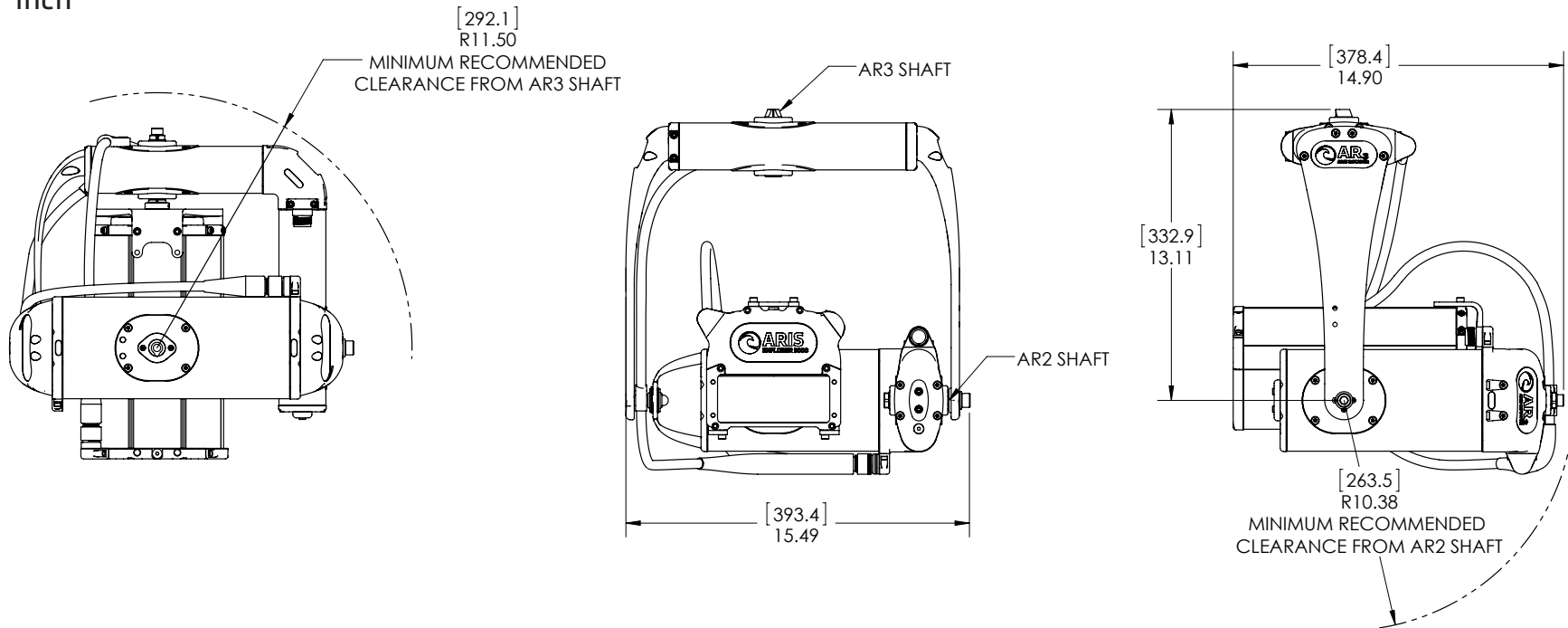


DIMENSIONS

REQUIRED MOUNTING VOLUME

[mm]
inch



DIMENSIONS

PAN/TILT MOUNT

[mm]
inch

